

HUMBOLDT COUNTY BUILDING DEPARTMENT
RECREATIONAL VEHICLE SET-UP INSTRUCTIONS

1. **ELECTRICAL POWER**

Electric service must be protected by circuit breaker or fuses. The ampacity may not exceed the maximum rating of the R.V. (Most R.V.'s have amperage rating stamped on exterior seal) Plug-in cords are permitted up to 50 amps but must be rated the same as the R.V.

R.V. service equipment shall be located within sight from and not more than 75 feet from the exterior wall of the R.V. it services.

2. **SEWER CONNECTION**

Sewer connection must be made with type ABS plastic pipe and tightly sealed. Flexible piping is not permitted. Above ground sewer line shall be protected from freezing.

Recreational vehicle shall be a minimum of 8 feet from any portion of the septic tank.

3. **WATER CONNECTION**

Water connections may be made with flexible hose, certified for potable water.

(Separate water and sewer connections as far apart as possible) Above ground water line shall be protected from freezing.

4. **TIE-DOWNS**

R.V.'s up to 24'-0 in length require (3) tie-downs. (2) placed near the rear of the R.V. (at bumper or at axles) and (1) at the tongue. R.V.'s over 24'-0 require (4) tie-downs. (2) at or near each end. Tie-downs may be of patented design manufactured for that purpose. Straps must be at least 1 ¼" by .035" thick cold rolled heat treated, hot dipped galvanized. If cables are used they must be galvanized steel cables no less than 7/32" or galvanized aircraft cable ¼" minimum diameter and there must be at least 3 cable clamps with nuts on the live side of the cable. Alternate anchoring methods may be approved but must be discussed with the inspector prior to the installation. See page 4 for examples.

5. **BLOCKING**

R.V.'s must be blocked in accordance with manufacturer's instructions or in accordance with the Nevada Manufactured Housing minimum standards. Concrete blocks every 6'-0 along supporting members if possible. Jack stands and blocking shall be installed on a 16"x16" solid footing. If you have a recreational vehicle with an enclosed under carriage the jacks provided by the manufacturer placed on the required base will be acceptable. **SEE ATTACHED FOR EXAMPLE OF BLOCKING.**

6. **GRADE**

Maintain compacted 6" fall in the first 10' grade.

7. **PUMPHOUSE**

A pumphouse shall be provided to protect the pressure tank, water and electrical installations. IRC Section 105.1 exempts pumphouses less than 130 square feet from requiring a permit, however this section also states "Exemption from the permit requirements of the code shall not be deemed to grant authorization for any work to be done in any manner in violation of provisions of this code or any other laws or ordinances of this jurisdiction." This requires the materials to be rot resistant and weatherproof. The structure itself must be structurally sound. All plumbing lines and fixtures shall be protected from freezing by approved materials. Electric shall be mounted on a permanent wall or pole (pressure treated). All outlets installed in

pumphouse shall be GFCI protected. The pumphouse may require permits. Check with the Building Department.

8. **INSPECTION**

All of the foregoing items, 1 thru 6, must be complete and ready for final inspection.

NO INTERMEDIATE INSPECTIONS WILL BE MADE.

9. **VARIATIONS**

All R.V.'s are constructed differently. If the instructions above do not seem to "fit" your R.V. or situation, discuss the problem with a Building Department representative before proceeding or calling for inspection.

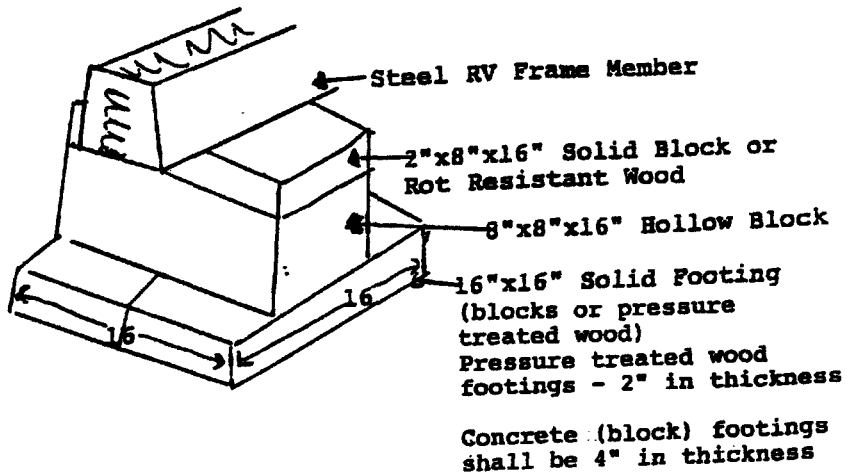
BLOCKING FOR RECREATIONAL VEHICLES

FOOTING:

- A. Pre-cast or poured in place concrete not less than 16" square by 4" thick.
- B. (2) 4"x8"x16" solid slab blocks placed side by side are also approved.(see drawing)
- C. 2"x16"x16" pressure treated wood (see drawing)

PIERS:

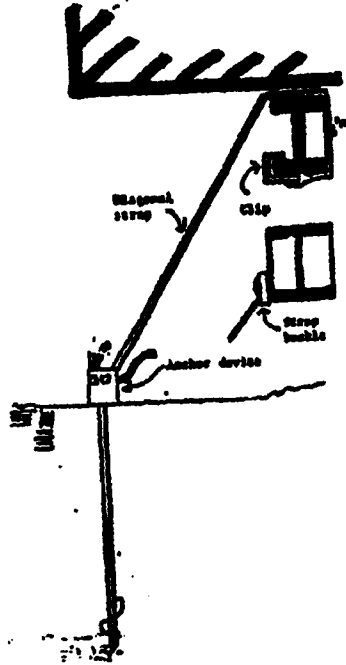
- A. 8"x8"x16" concrete, cinder, or pumice block with cells vertical and placed perpendicular (crosswise to the recreational vehicle frame). (See drawing)
- B. Manufactured home jack stands. (3,000 lb rating)
- C. Recreational vehicle piers approved by the manufacturer for this type of installation.



TIE DOWN STRAPS

STRAP TIEDOWN

Example of installation.



Cable Tiedown—Example

